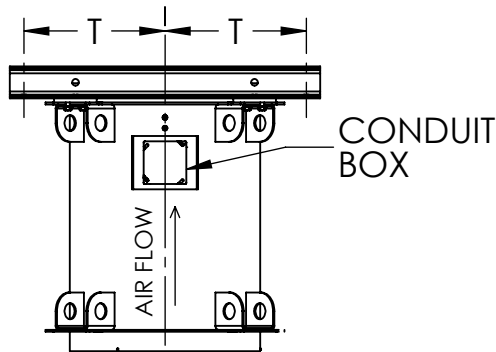
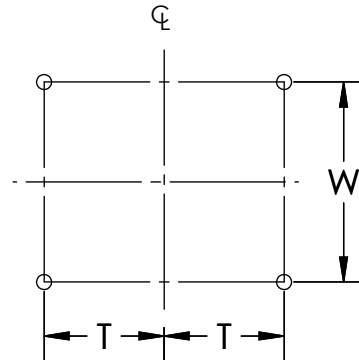


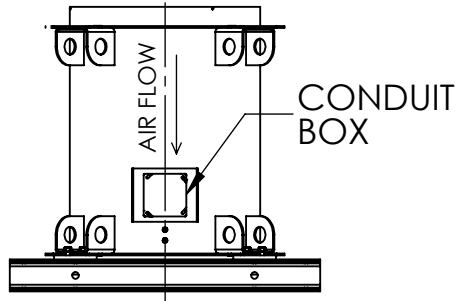
**MXI-ARRANGEMENT- 4, LEVEL 1,
 VERTICAL DISCHARGE, MOUNTING RAIL**



VERTICAL CEILING HUNG



FOUNDATION PLAN VIEW



VERTICAL BASE MOUNT

- **MOUNTING RAILS ARE NEEDED WHEN FAN WILL BE MOUNTED IN VERTICAL UPBLAST OR DOWNBLAST ARRANGEMENT EITHER CEILING HUNG OR BASE MOUNTED WITH USE OF ISOLATORS.**
- **MOUNTING RAILS TO BE SHIPPED LOOSE WITH HARDWARE.**
- **ISOLATORS ARE SUPPLIED AS PER ORDER**

DIMENSIONAL DATA

Size	T	W	MOUNTING RAIL SECTION	FAN WEIGHT (LESS MOTOR) (LBS.)
122	13 1/4	26 3/4	C3 x 4.1	139
135	13 15/16	29 3/8	C3 x 4.1	169
150	14 15/16	30 15/16	C3 x 4.1	197
165	15 11/16	32	C3 x 4.1	226
182	16 15/16	33 15/16	C4 x 5.4	291
200	18 3/16	35 3/4	C4 x 5.4	339
222	19 3/4	41	C5 x 6.7	476
245	21 3/8	43 5/8	C6x 8.2	572
270	23 1/8	46 1/4	C6x 10.5	716
300	25 3/16	51 1/2	C6x 10.5	861
330	27 5/16	54 3/4	C8x11.5	1007
365	29 3/4	60 1/4	C8x11.5	1358
402	32 3/8	66 1/4	C10x15.3	1633
445	35 3/8	71 7/8	C12x30	1909
490	38 9/16	80 3/16	C12x30	2565
542	42 3/16	86 1/16	C12x30	2984
600	46 1/4	96 1/8	C12x30	3606

ALL DIMENSIONS ARE IN INCHES